



SHOPTOOLUSA.COM

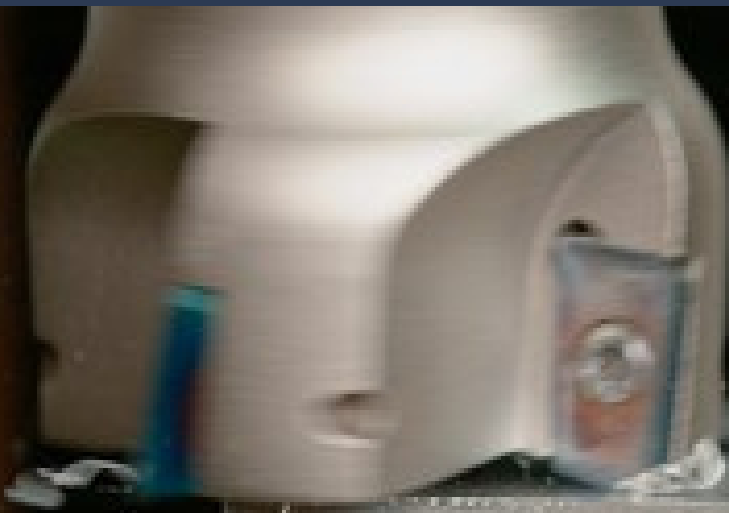
SHOPPING TOOL & MACHINERY CORP

WE PROVIDE THE BEST SOLUTIONS.

*Introduce New Line Indexable Milling Holder.
Suitable for most face milling applications.
Reduces vibration on long overhang applications.
Chip thinning effect allows for increased table feeds.
High Positive cutting geometry.*

HIGH SPEED CUTTING OPERATION

Performance and removal hard material need face mill quality. Best option is Shell Mill

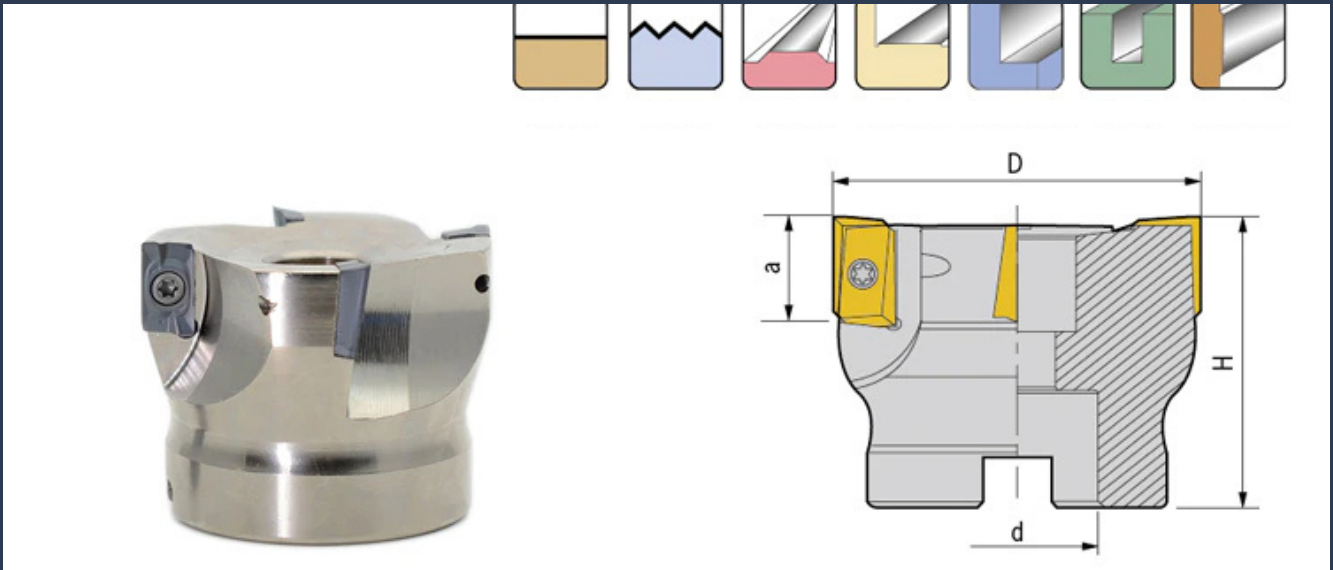




SHOPTOOLUSA.COM

NEW REVOLUTION CUTTING

DESING U.S.A. ENGINEER



D	d	H	a
50	22	50	14

Benefit from the 90 degree lead angle allows efficient square shoulder milling and ability to machine workpiece with weak structure or thin walls over 45 degree face mill. It uses industry standard APKT /APMT 1604 insert which has a positive 11 degree clearance angle and depth of cut of 0.551" or 14mm. The insert pockets are designed to be 19 degree positive inclined to minimize vibration and allowing fast cutting and lowering cutting noise.

