

HARLINGEN® INDEXABLE TURNING TOOL HOLDERS

Up to
30%
higher productivity
and profitability

- Superior edge toughness.
- Excellent wear and depth-of-cut notch resistance.
- For use in all finishing, medium, and roughing applications.

• SURFACE FINISHING

Each tool holder is black oxidized. The ultra smooth surface is rust proof and extremely durable.



TOOL HOLDER HARDNESS

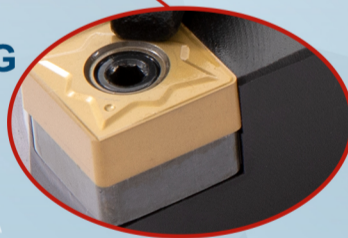
• HRC 45

High grade alloy steel provides outstanding strength and rigidity delivering higher productivity, stability, and longer tool life.



• 100% INSERT SEATING CONTROL

Using a .02 mm feeler gage, each tool is qualified to assure the gap between the insert and pocket base is <math><0.02\text{ mm}</math>. We guarantee the Gap is <math><0.02\text{ mm}</math>

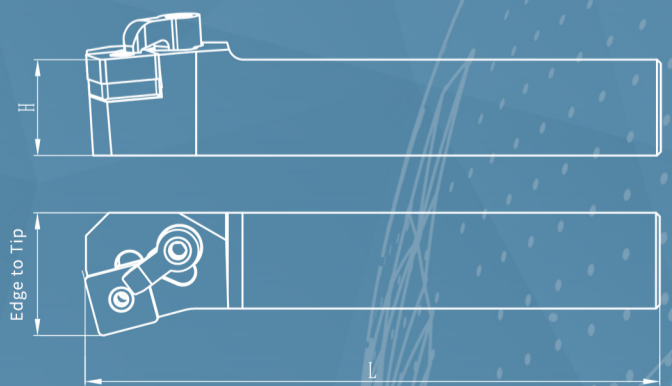


• CHAMFERS

All the chamfers are processed by CNC machines to ensure uniformity

INSERT BASE, NOSE HEIGHT, EDGE TO TIP, LENGTH OF TOOL HOLDER.

Each dimension is 100% inspected by testing with specific inspection insert according to ISO standard.

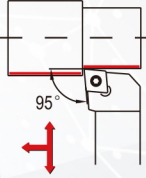
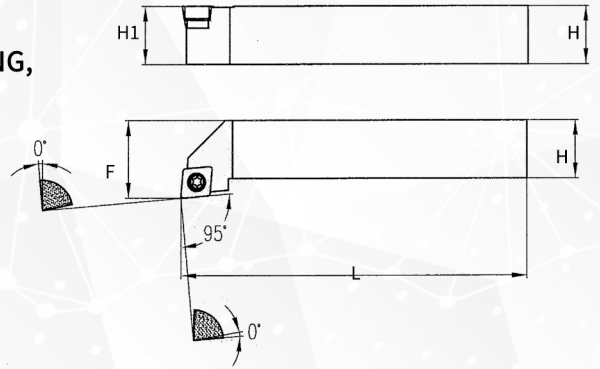


SCLCR SCREW TYPE TURNING TOOL HOLDERS



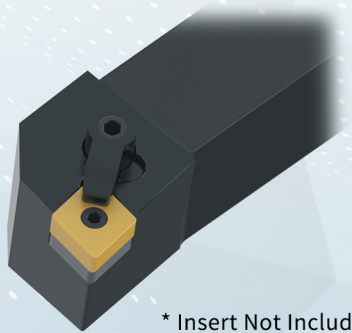
- 5-DEGREE LEAD ANGLE FOR TURNING, PROFILING OR FACING
- USE CCMT32.52 INSERT

* Insert Not Included



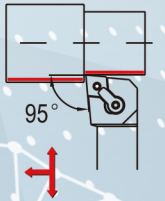
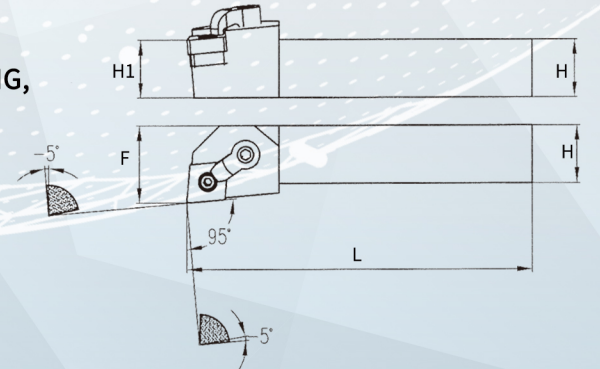
Order No.	TOOL Holder Style	SIZE				Shim	Shim Screw	Insert Screw	Torx Wrench	Price
		H1	H	L	F					
9710-0018	12-3B	3/4"	3/4"	4-1/2"	1"	SKCP-343 (2109-0005)	SRS-3 (2109-0031)	MS-1156 (2109-0170)	S3.5, T15	\$51.25

MCLNR PIN & CLAMP TURNING TOOL HOLDERS



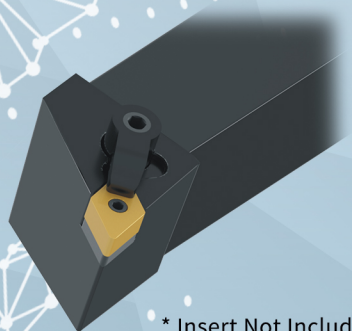
- 5-DEGREE LEAD ANGLE FOR TURNING, PROFILING OR FACING
- USE CNMG432 INSERT

* Insert Not Included



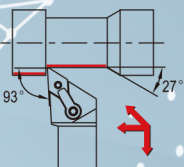
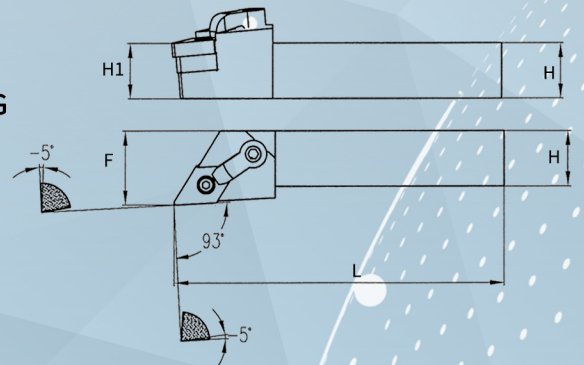
Order No.	TOOL Holder Style	SIZE				Shim	Lock Pin	Clamp	Clamp Screw	Torx Wrench	Price
		H1	H	L	F						
9710-0104	16-4D	1"	1"	6"	1-1/4"	ICSN-433 (2109-0001)	NL-46 (2109-0010)	CK-20 (2109-0100)	STC-20 (2109-0150)	S3/32, S1/8	\$65.70
9710-0109	12-4B	3/4"	3/4"	4-1/2"	1"	ICSN-433 (2109-0001)	NL-46 (2109-0010)	CK-20 (2109-0100)	STC-20 (2109-0150)	S3/32, S1/8	\$60.60

MDJNR PIN & CLAMP TURNING TOOL HOLDERS



- 3-DEGREE LEAD ANGLE FOR TURNING OR PROFILING
- USE DNMG432 INSERT

* Insert Not Included



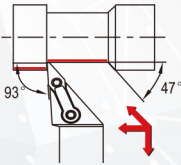
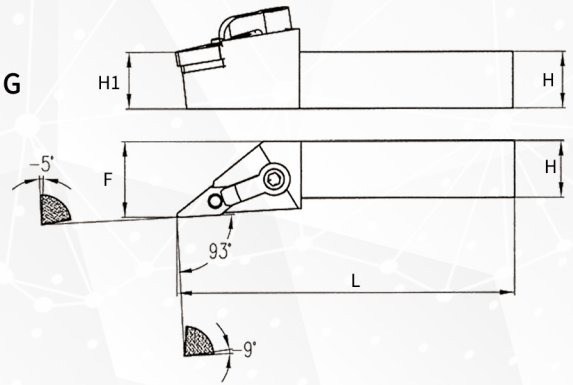
Order No.	TOOL Holder Style	SIZE				Shim	Lock Pin	Clamp	Clamp Screw	Torx Wrench	Price
		H1	H	L	F						
9710-0110	12-4B	3/4"	3/4"	4-1/2"	1"	IDSN-443 (2109-0002)	NL-46L (2109-0016)	CK-23 (2109-0110)	STC-20 (2109-0150)	S3/32, S1/8	\$62.39

MVJNR PIN & CLAMP TURNING TOOL HOLDERS



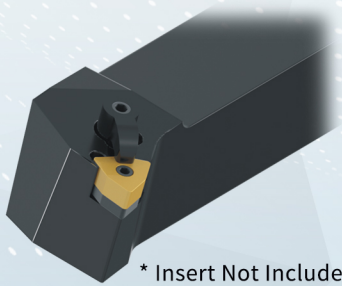
- 3-DEGREE LEAD ANGLE FOR TURNING OR PROFILING
- USE VNMG332 INSERT

* Insert Not Included



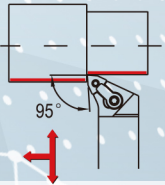
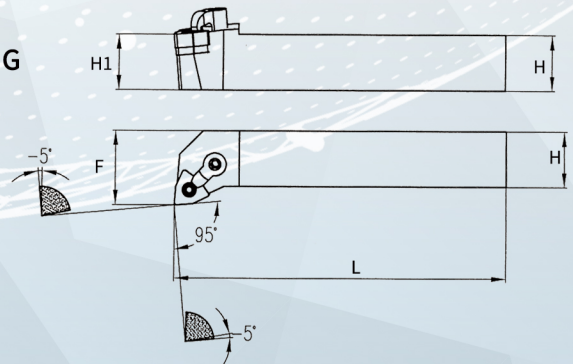
Order No.	TOOL Holder Style	SIZE				Shim	Lock Pin	Clamp	Clamp Screw	Torx Wrench	Price
		H1	H	L	F						
9710-0195	12-3B	3/4"	3/4"	4-1/2"	1"	IVSN-322 (2109-0008)	NL-34L (2109-0014)	CK-43 (2109-0108)	STC-4 (2109-0158)	S5/64, S5/32	\$73.34

MWLNR PIN & CLAMP TURNING TOOL HOLDERS



- 5-DEGREE LEAD ANGLE FOR TURNING OR PROFILING
- USE WNMG332 INSERT

* Insert Not Included



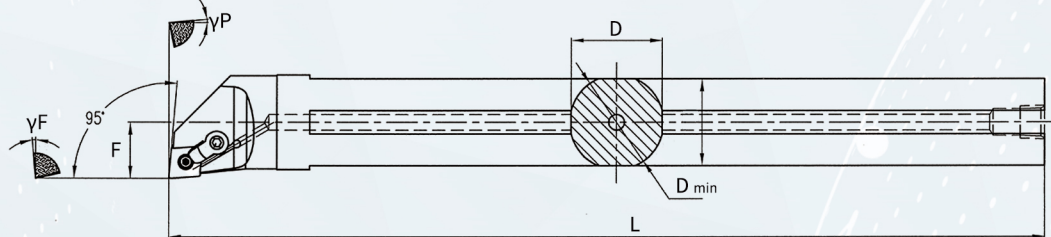
Order No.	TOOL Holder Style	SIZE				Shim	Lock Pin	Clamp	Clamp Screw	Torx Wrench	Price
		H1	H	L	F						
9710-0205	12-3B	3/4"	3/4"	4-1/2"	1"	IWSN-322 (2109-0004)	NL-34L (2109-0014)	CK-6 (2109-0104)	STC-5 (2109-0154)	S5/64, S5/32	\$60.60

MCLNR PIN & CLAMP TURNING TOOL HOLDERS



- 5-DEGREE LEAD ANGLE FOR TURNING, PROFILING OR FACING
- USE CNMG432 INSERT
- COOLANT THROUGH

* Insert Not Included



Order No.	TOOL Holder Style	SIZE					Shim	Lock Pin	Clamp	Clamp Screw	Torx Wrench	Price	
		γF	γP	D	D min	L							F
9710-0008	A24-4	-12°	-5°	1.453"	1.5"	14"	89/100"	ICSN-433 (2109-0001)	NL-46 (2109-0010)	CK-20 (2109-0100)	STC-20 (2109-0150)	S3/32, S1/8	\$145.34

PREMIUM LATHE CHUCKS

Radial Runout
 ≤ 0.002 inches

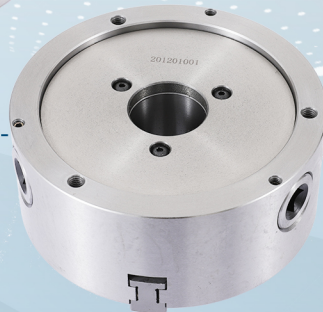


● CHUCK BODY

Body is entirely made of wear-resisting semi-steel No.40/No.45 (ASTM) providing a higher hardness at HB190-220 compared to other brands using HT250 cast iron with hardness of HB180-220.

● COVER PLATE

High quality No.35 (ASTM) is used to achieve a higher accuracy, strength and extended tool life. Competitors use HT150 cast iron or engineering plastics as a substitute.



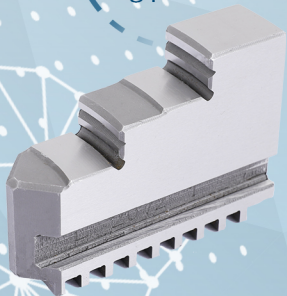
● H-GROOVE

Specific machine and fixtures have been adopted to process H-Groove simultaneously so the clamping accuracy is guaranteed.



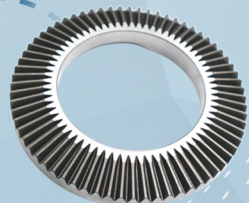
● SOLID JAWS

Jaws are made of carbon 1045 (ASTM) steel and hardened. Pressed individually to ensure precise fit, powerful clamping performance and each jaw is interchangeable while maintaining accuracy.



● SCROLL PLATE

Made of 5140 (ASTM) to enhance wear resistance and strength. Hardened and precision machined. Scroll face threads are processed with high accuracy CNC machining which improves self-centering performance.



● PINIONS

Made of 20CrMnTi, quenching procedure to enhance wear-resistance and strength.



● INSPECTION REPORT

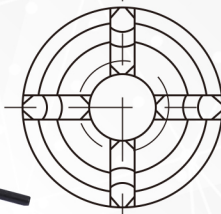
Each chuck body has its own ID and 100% inspected with trackable data.



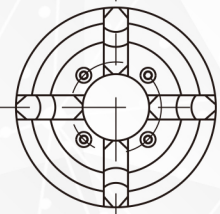
4-JAW INDEPENDENT LATHE CHUCKS WITH PLAIN BACK



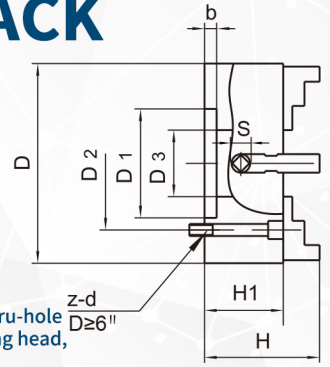
D=6" & 8"



D=3", 4" & 5"



D=6" & 8"



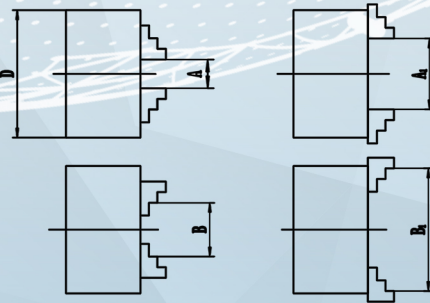
- Reversible jaws
- Lathe Chuck wrench included
- 1 set of mounting screws included

6" & 8" chucks are provided with thru-hole for easily mounting on table, dividing head, fixture, or indexer.

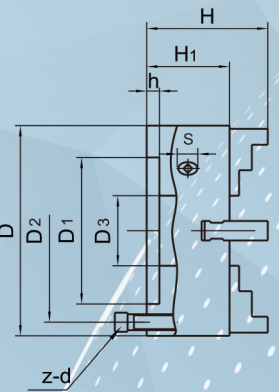
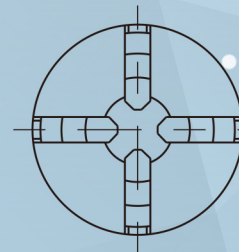
OrderNo.	D	D1	D2	D3	H	H1	h	Wrench S	Screw	Max. input torque	Max. speed	Net WT.	Price
										Nm	r/min		
9713-1101	3"	2.17"	2.6"	0.87"	2.2"	1.65"	0.14"	0.31"	4-M6	25	4000	5.5 lb	\$134.76
9713-1102	4"	2.83"	3.31"	0.98"	2.13"	2.91"	0.14"	0.31"	4-M8	30	3500	6.6 lb	\$151.62
9713-1103	5"	3.74"	4.25"	1.18"	3.07"	2.2"	0.18"	0.39"	4-M8	50	3000	11 lb	\$174.07
9713-1104	6"	2.56"	3.74"	1.77"	3.66"	2.56"	0.2"	0.39"	4-M10	70	2500	19.8 lb	\$196.55
9713-1105	8"	3.15"	4.41"	2.2"	4.21"	2.95"	0.24"	0.47"	4-M10	100	2000	33 lb	\$247.07

Clamping Range For Independent Chucks

Size	Internal Jaws Clamping range A-A1	External Jaws Clamping range B-B1
3"	0.2"-1.38"	1.38"-3.15"
4"	0.24"-1.77"	1.57"-3.94"
5"	0.28"-2.24"	1.89"-4.92"
6"	0.31"-3.15"	1.97"-6.3"
8"	0.39"-3.94"	2.48"-7.87"



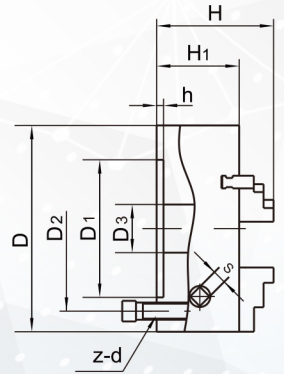
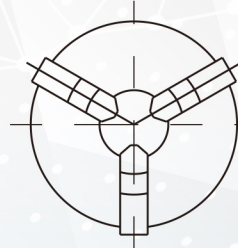
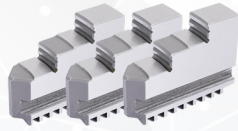
4-JAW SELF CENTERING LATHE CHUCKS WITH PLAIN BACK



- 2 sets of jaws
- Lathe Chuck wrench included
- 1 set of mounting screws included

OrderNo.	D	D1	D2	D3	H	H1	h	Wrench S	Screw	Net WT.	Price
9713-2110	3"	2.17"	2.6"	0.63"	2.6"	1.97"	0.14"	0.31"	3-M6	4.4 lb	\$168.45
9713-2101	4"	2.83"	3.31"	0.87"	2.87"	2.11"	0.14"	0.31"	3-M8	6.6 lb	\$185.31
9713-2102	5"	3.74"	4.25"	1.18"	3.31"	2.28"	0.16"	0.39"	3-M8	11 lb	\$285.31
9713-2103	6"	5.12"	5.59"	1.57"	3.74"	2.56"	0.2"	0.39"	3-M8	19.4 lb	\$365.00

3-JAW SELF CENTERING LATHE CHUCKS WITH PLAIN BACK

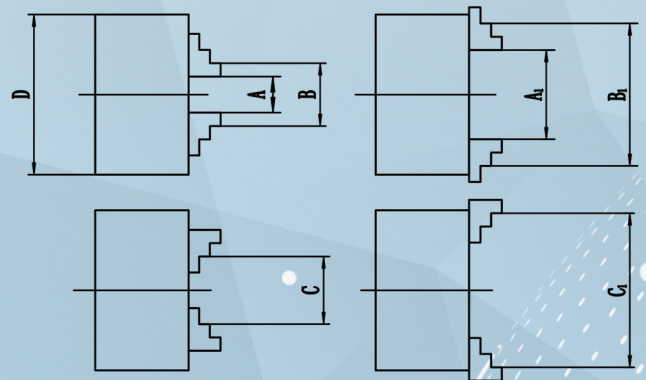


- 2 sets of jaws
- Lathe Chuck wrench included
- 1 set of mounting screws included

Order No.	D	D1	D2	D3	H	H1	h	Wrench S	Screw	Max. input torque	Max. speed	Net WT.	Price
										Nm	r/min		
9712-1105	3"	2.17"	2.6"	0.63"	2.6"	1.97"	0.14"	0.31"	3-M6	40	4000	4.2 lb	\$124.39
9712-1106	4"	2.83"	3.3"	0.87"	2.93"	2.17"	0.14"	0.31"	3-M8	60	3500	7.1 lb	\$130.32
9712-1107	5"	3.74"	4.25"	1.18"	3.3"	2.28"	0.16"	0.39"	3-M8	100	3000	11 lb	\$154.00
9712-1108	6"	5.12"	5.6"	1.57"	3.74"	2.6"	0.2"	0.39"	3-M8	160	2500	19.4 lb	\$219.14
9712-1109	8"	6.5"	7.09"	2.56"	4.29"	2.95"	0.2"	0.47"	3-M10	160	2000	34.2 lb	\$266.54

Clamping Range For Self-centering Chucks

Size	Internal Jaws		External Jaws
	Clamping range A-A1	Jamming range B-B1	Clamping range C-C1
3"	0.08"-0.87"	0.98"-2.76"	0.87"-2.48"
4"	0.08"-1.18"	1.18"-3.54"	1.18"-3.15"
5"	0.1"-1.57"	1.5"-4.92"	1.5"-4.33"
6"	0.12"-2.17"	1.97"-6.3"	2.17"-5.71"
8"	0.16"-3.35"	2.56"-7.87"	2.56"-7.87"



HARLINGEN® METRIC HIGH PERFORMANCE ER COLLETS

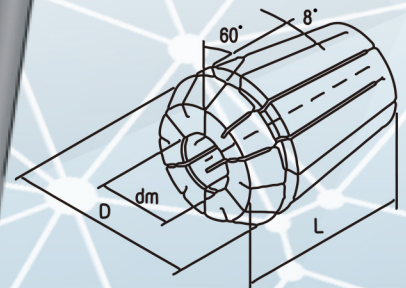
HARLINGEN® ultra precision ER collets are made of special bearing steel, Grade GCr15, fully hardened and precisely ground by experienced craftsmen. Our powerful clamping ability and durability are ideal for boring, milling, drilling and tapping as well as grinding operations.

- Made of high-performance special bearing steel
- Ideal for drilling, reaming and milling for high precision machining.
- Your choice for secure and rigid holding of drills of any size while retaining the highest concentricity within the range.
- 8° taper design enables maximum gripping power.
- All slits are spaced and ground evenly.
- Made of special bearing steel



RUNOUT
≤0.008mm

DIN6499B



ER 16

Order No.	ER Series	dm	D	L	Collapsibility	Price
9710-4011	ER16	3.0-2.0 mm	17.0 mm	27.5 mm	1 mm	\$12.44
9710-4012	ER16	4.0-3.0 mm	17.0 mm	27.5 mm	1 mm	\$12.44
9710-4013	ER16	5.0-4.0 mm	17.0 mm	27.5 mm	1 mm	\$12.44
9710-4014	ER16	6.0-5.0 mm	17.0 mm	27.5 mm	1 mm	\$12.44
9710-4015	ER16	7.0-6.0 mm	17.0 mm	27.5 mm	1 mm	\$12.44
9710-4016	ER16	8.0-7.0 mm	17.0 mm	27.5 mm	1 mm	\$12.44
9710-4017	ER16	9.0-8.0 mm	17.0 mm	27.5 mm	1 mm	\$12.44
9710-4018	ER16	10.0-9.0 mm	17.0 mm	27.5 mm	1 mm	\$12.44

ER 20

Order No.	ER Series	dm	D	L	Collapsibility	Price
9710-4019	ER20	3.0-2.0 mm	21.0 mm	31.5 mm	1 mm	\$12.44
9710-4020	ER20	4.0-3.0 mm	21.0 mm	31.5 mm	1 mm	\$12.44
9710-4021	ER20	5.0-4.0 mm	21.0 mm	31.5 mm	1 mm	\$12.44
9710-4022	ER20	6.0-5.0 mm	21.0 mm	31.5 mm	1 mm	\$12.44
9710-4023	ER20	7.0-6.0 mm	21.0 mm	31.5 mm	1 mm	\$12.44
9710-4024	ER20	8.0-7.0 mm	21.0 mm	31.5 mm	1 mm	\$12.44
9710-4025	ER20	9.0-8.0 mm	21.0 mm	31.5 mm	1 mm	\$12.44
9710-4026	ER20	10.0-9.0 mm	21.0 mm	31.5 mm	1 mm	\$12.44
9710-4027	ER20	11.0-10.0 mm	21.0 mm	31.5 mm	1 mm	\$12.44
9710-4028	ER20	12.0-11.0 mm	21.0 mm	31.5 mm	1 mm	\$12.44
9710-4029	ER20	13.0-12.0 mm	21.0 mm	31.5 mm	1 mm	\$12.44

ER 25

Order No.	ER Series	dm	D	L	Collapsibility	Price
9710-4030	ER25	3.0-2.0 mm	26.0 mm	34.0 mm	1 mm	\$13.01
9710-4031	ER25	4.0-3.0 mm	26.0 mm	34.0 mm	1 mm	\$13.01
9710-4032	ER25	5.0-4.0 mm	26.0 mm	34.0 mm	1 mm	\$13.01
9710-4033	ER25	6.0-5.0 mm	26.0 mm	34.0 mm	1 mm	\$13.01
9710-4034	ER25	7.0-6.0 mm	26.0 mm	34.0 mm	1 mm	\$13.01
9710-4035	ER25	8.0-7.0 mm	26.0 mm	34.0 mm	1 mm	\$13.01
9710-4036	ER25	9.0-8.0 mm	26.0 mm	34.0 mm	1 mm	\$13.01
9710-4037	ER25	10.0-9.0 mm	26.0 mm	34.0 mm	1 mm	\$13.01
9710-4038	ER25	11.0-10.0 mm	26.0 mm	34.0 mm	1 mm	\$13.01
9710-4039	ER25	12.0-11.0 mm	26.0 mm	34.0 mm	1 mm	\$13.01
9710-4040	ER25	13.0-12.0 mm	26.0 mm	34.0 mm	1 mm	\$13.01
9710-4041	ER25	14.0-13.0 mm	26.0 mm	34.0 mm	1 mm	\$13.01
9710-4042	ER25	15.0-14.0 mm	26.0 mm	34.0 mm	1 mm	\$13.01
9710-4043	ER25	16.0-15.0 mm	26.0 mm	34.0 mm	1 mm	\$13.01

ER 32

Order No.	ER Series	dm	D	L	Collapsibility	Price
9710-4044	ER32	3.0-2.0 mm	33.0 mm	40.0 mm	1 mm	\$13.63
9710-4045	ER32	4.0-3.0 mm	33.0 mm	40.0 mm	1 mm	\$13.63
9710-4046	ER32	5.0-4.0 mm	33.0 mm	40.0 mm	1 mm	\$13.63
9710-4047	ER32	6.0-5.0 mm	33.0 mm	40.0 mm	1 mm	\$13.63
9710-4048	ER32	7.0-6.0 mm	33.0 mm	40.0 mm	1 mm	\$13.63
9710-4049	ER32	8.0-7.0 mm	33.0 mm	40.0 mm	1 mm	\$13.63
9710-4050	ER32	9.0-8.0 mm	33.0 mm	40.0 mm	1 mm	\$13.63
9710-4051	ER32	10.0-9.0 mm	33.0 mm	40.0 mm	1 mm	\$13.63
9710-4052	ER32	11.0-10.0 mm	33.0 mm	40.0 mm	1 mm	\$13.63
9710-4053	ER32	12.0-11.0 mm	33.0 mm	40.0 mm	1 mm	\$13.63
9710-4054	ER32	13.0-12.0 mm	33.0 mm	40.0 mm	1 mm	\$13.63
9710-4055	ER32	14.0-13.0 mm	33.0 mm	40.0 mm	1 mm	\$13.63
9710-4056	ER32	15.0-14.0 mm	33.0 mm	40.0 mm	1 mm	\$13.63
9710-4057	ER32	16.0-15.0 mm	33.0 mm	40.0 mm	1 mm	\$13.63
9710-4058	ER32	17.0-16.0 mm	33.0 mm	40.0 mm	1 mm	\$13.63
9710-4059	ER32	18.0-17.0 mm	33.0 mm	40.0 mm	1 mm	\$13.63
9710-4060	ER32	19.0-18.0 mm	33.0 mm	40.0 mm	1 mm	\$13.63
9710-4061	ER32	20.0-19.0 mm	33.0 mm	40.0 mm	1 mm	\$13.63

Collet must be assembled into collet chuck nut before inserting into collet chuck !

